



MISIA PARANCHI_{SRL}



**MISIA
PARANCHI**

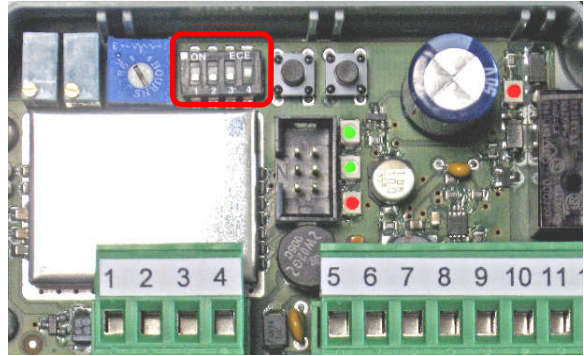
**MISIA OVERLOAD LIMITED
ELECTRONIC TYPE GREY**

MS-OL-DS01



SETTING CAPACITY

The range selection is made by closing one or more dip-switch in combination, shown in the picture on the right, corresponding to a predetermined capacity, referring to the weight on the load cell. The condition of no dip-switch is closed corresponds to the flow rate of 800 kg.



DIP SWITCH		CAPACITY
1		800 kg
2		1250 kg
3		1600 kg
4		2500 kg
1 + 2		500 kg
1 + 3		1000 kg
1 + 4		2000 kg
2 + 3		750 kg
2 + 4		1500 kg

REMARK

the dip switch is WHITE colour

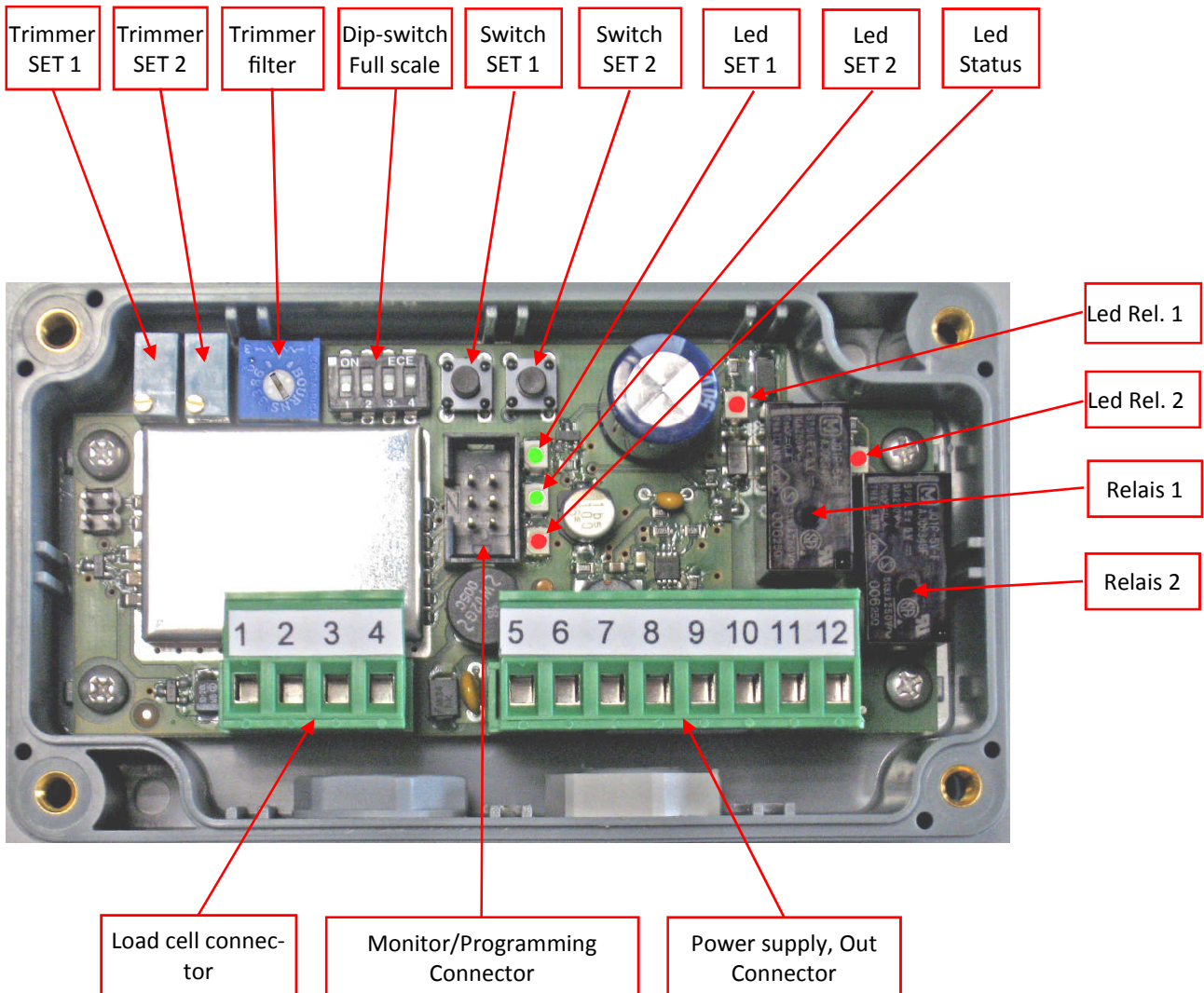
Mod. DSET 01
Alim. 24 V
Serial
1206026
Made in Italy
CE

MISIA PARANCHI

Amplificatore	DSET	Cliente	MISIA
Configurazione	SCHEDA 2 SET DIGITALE 24V SCATOLA		
N° Matricola	1206026	Data	13/12/2012
N° Commessa	2480	Set B	II=+25%
Set A	I=+10%		
Portata kg.	3000	Tipo	PI
Taratura kg.	800	N°Mat.	1232808

PI 3 ton
N 1232808
MISIA

CONNECTIONS



NUM.	Load cell connector
1	+ Excitation (pos.)
2	+ Signal (pos.)
3	- Signal (neg.)
4	- Excitation (neg.)

NUM.	Power supply, Out Connector
5	+ Power Supply. 10 - 30 Vdc / 24 Vac
6	GND / 24 Vac
7	RELAYS 1 NO
8	RELAYS 1 NC
9	RELAYS 1 COMMON
10	RELAYS 2 NO
11	RELAYS 2 NC
12	RELAYS 2 COMMON

If for any reason you need to change (or refine) the thresholds settings, once that the hoist has been erected, you have to hang a load whose weight is known and interfere with the trimmer(#01 or #02, which respectively modify the intervention of the first and second threshold).

When the desired level is achieved, the respective led will be turned off.

Once the led is off, pls. press the respective switch (# 01 or #02) to record the value.

****** WARNING: the switches #01 and #02 must not be pressed simultaneously. Such an operation will damage the whole device!**

POWER SUPPLY



- The instrument is powered through pin 5 and 6 of MT1 connector.
- The power supply cable must be inserted separately from other power cables with different voltages, loading cells cables and logical outputs.

Power supply voltage : 10-30 Vdc / 24 Vac max 2 W

NUM.	Power supply, Out connector
5	+ Power 10 - 30 Vdc / 24 Vac
6	GND / 24 Vac

LOAD CELLS CONNECTION



- Cell cable must not be installed with other cables(es. remote outputs or power cables), but must follow its own path.
- It's possible to join the cable but with shield connections, respecting the colour code and using the cable of the type supplied by the manufacturer. Extension connections must be done by welding, or through the junction box supplied separately.

The cell voltage is 3.3 Vdc and is protected from short circuit transient. The measurement range of the instrument uses a load cell capacity 3000 kg with a sensitivity of about 1 mV/V, usable for all lower flow limits predetermined (typically from 500 to 2500 kg).

The load cell cable should be connected to terminals 1 ...4 of its terminal block.

NUM.	Load cell connector
1	+ Excitation (pos.)
2	+Signal
3	- Signal
4	- Excitation (neg.)



Connect the cable shield to power supply negative wire. Or to the ground.

RELAIS OUTPUT CONNECTIONS

The maximum load of each contact is 24/48 Vdc/Vac 2 A.

